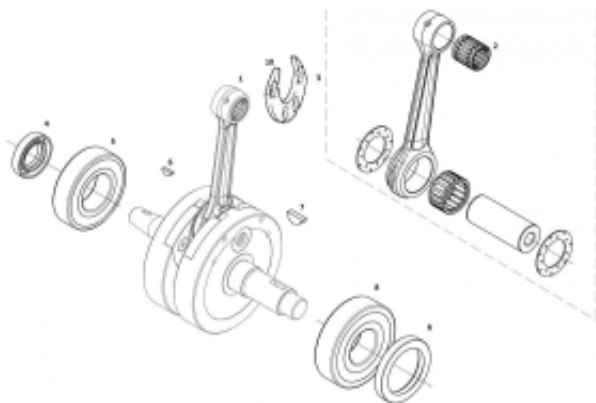


Link do produktu: <https://www.sklep.ms-mot.pl/uszczelniacz-walu-lewy-rieju-mr-gasgas-ec-00008909103-p-713.html>

Uszczelniacz wału lewy Rieju MR, GasGas EC, 0/000.890.9103



Cena	70 zł
Dostępność	Na zamówienie
Numer katalogowy	0/000.890.9103
Kod producenta	0/000.890.9103
Producent	Rieju

Opis produktu

Uszczelniacz wału lewy Rieju MR, GasGas EC,
NR OEM 0/000.890.9103 nr 4 na rys.

[EC 2T 2018 - Engine EC REPLICA FACTORY 2014- Engine ECRANGER 2019 - Engine EC REPLICA GIULLAUME 250-300 2012- Engine MR 2022 80 ANIV 9106.9108.9113 XC 2T 2018 - Engine EC - MX - SM 2T 125-200-250-300 2005- Engine EC - MX - SM 2T 125-200-250-300 2005- Engine EC RACING 125-250-300 2011- Engine EC RACING 125-250-300 2011- Engine EC - MC 2T 125-200-250-300 2009- Engine EC - MC 2T 125-200-250-300 2009- Engine ENDURO RACING 125-250-300 2010- Engine ENDURO RACING 125-250-300 2010- Engine EC - MC 2T 125-200-250-300 2002- Engine EC - MC 2T 125-200-250-300 2002- Engine EC 2T 250-300 2013- Engine ENDURO NAMBOTIN REPLICA 250-300 2010- Engine EC 2T 200-250-300 2014- Engine EC - MX - SM 2T 125-200-250-300 2003- Engine EC - MX - SM 2T 125-200-250-300 2003- Engine EC RACING 2014- Engine EC 250-300 2012- Engine EC - MX - SM 2T 125-200-250-300 2004- Engine EC - MX - SM 2T 125-200-250-300 2004- Engine ENDURO GP 2T 2018 - Engine EC RACING 125 2013- Engine EC 250-300 RACING 2012- Engine EC - MC 125-200-250-300 2010- Engine EC - MC 125-200-250-300 2010- Engine EC - MX - SM 2T 125-200-250-300 2007- Engine EC - MX - SM 2T 125-200-250-300 2007- Engine EC RACING COUNTRY USA 250-300 2012- Engine EC - MX - SM 2T 125-200-250-300 2006- Engine EC - MX - SM 2T 125-200-250-300 2006- Engine EC 2T USA 250-300 2013- Engine EC 2T 200-250-300 2001- Engine EC 2T RACING 250-300 2013- Engine HALLEY 2T EH - SM 2009- Engine EC 2T 2019 - Engine EC RACING 2015- Engine EC 125-200-250-300, 250/300E, SIXDAYS 2011- Engine EC 125-200-250-300, 250/300E, SIXDAYS 2011- Engine ENDURO 125-200-250-300 SIXDAYS 2010- Engine ENDURO 125-200-250-300 SIXDAYS 2010- Engine MR 2022 V1 9106.9108.9109 EC REPLICA FACTORY 250-300 2013- Engine REPLICA CERVANTES NAMBOTIN 250-300 2T 2011- Engine MR RANGER 2020 0829102 EC 2T 2015 - Engine EC - MC 125-200-250-300 2008- Engine EC - MC 125-200-250-300 2008- Engine EC E 2T USA 250-300 2013- Engine SIX DAYS CHILE 2019 - Engine MR 2022 V2 9105.9111.9110 0829100 EC E 2T 250-300 2012- Engine EC 2T 2017 - Engine MR 2024 300 9115](#)

GPRS Dystrybutor

GPRS Dystrybutor
V CRUISER SPÓŁKA Z OGRANICZONĄ ODPOWIEDZIALNOŚCIĄ
ul. Bułgarska 65A Poznań 60-320